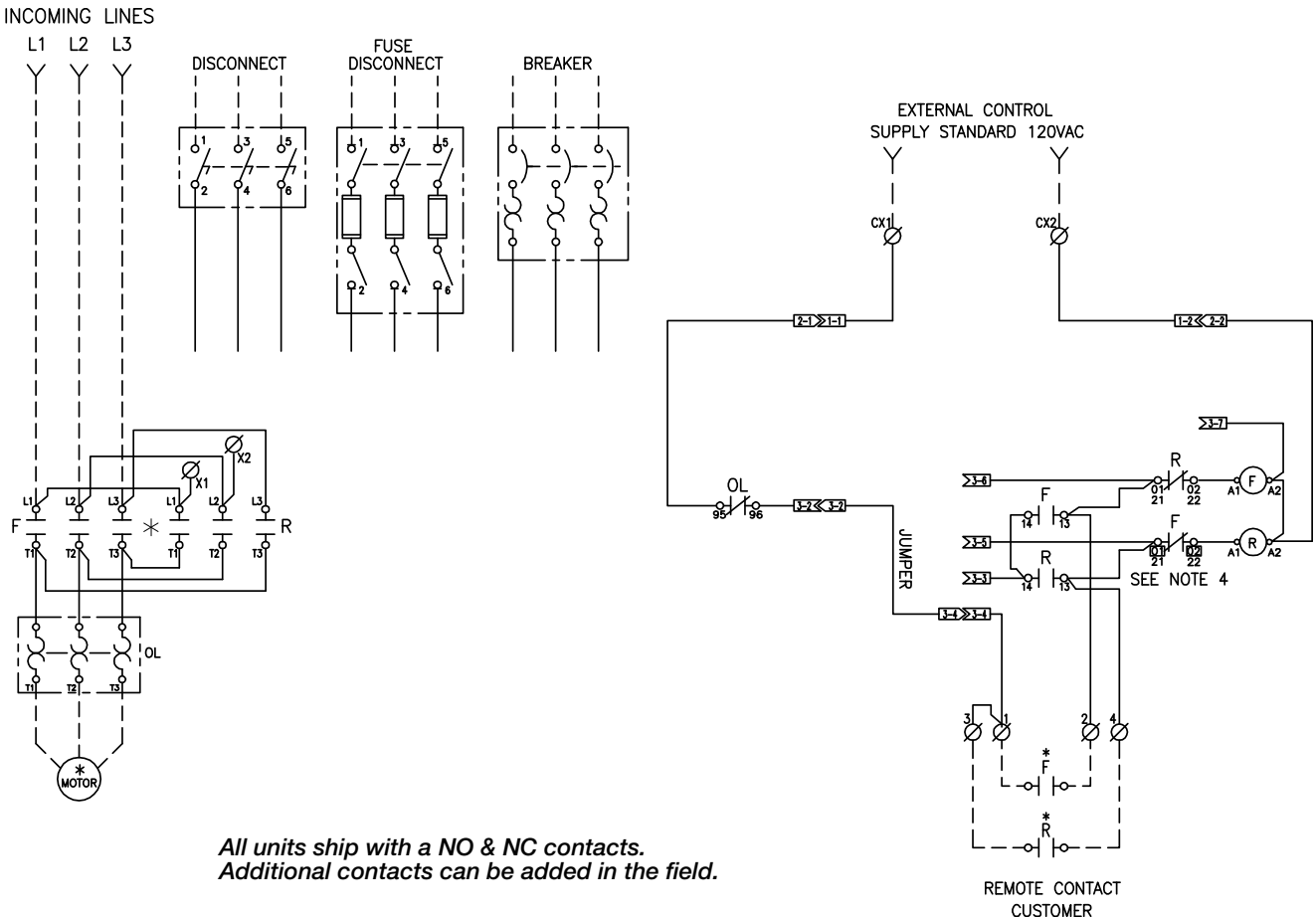
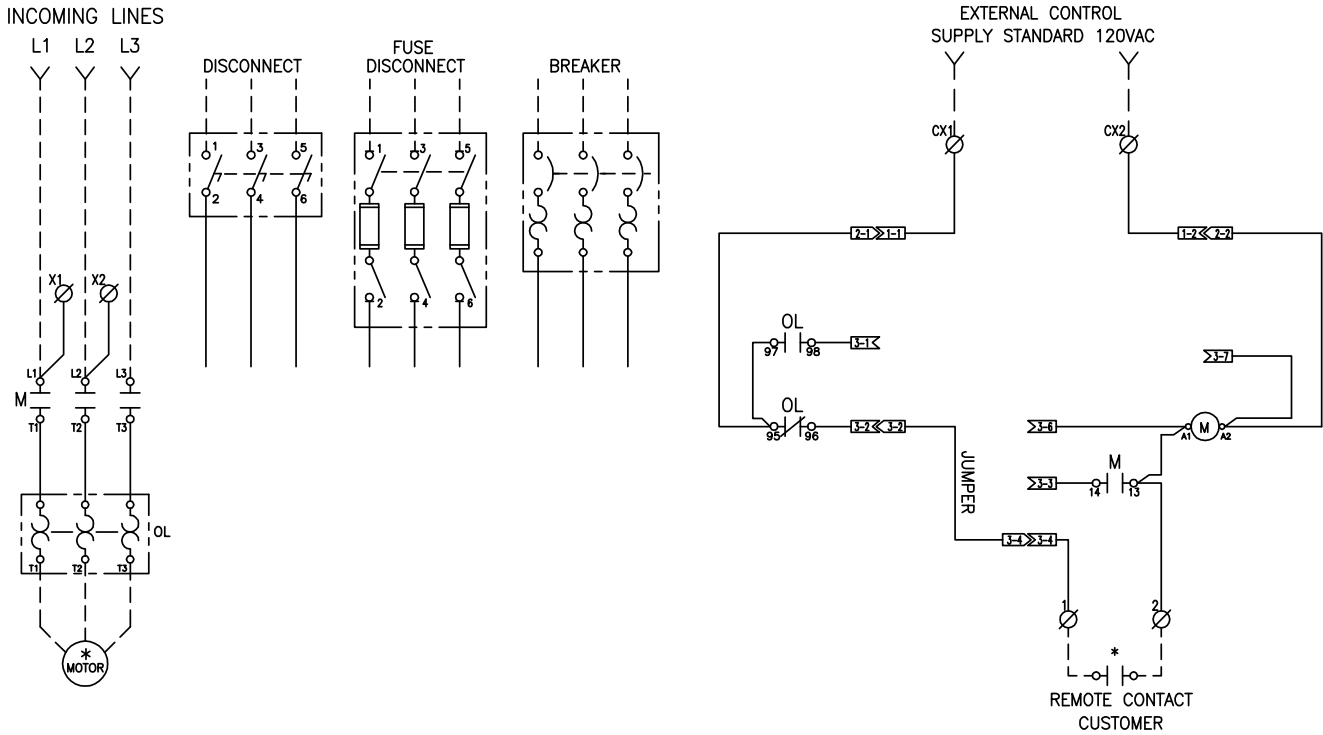


Circuit diagrams

Non-reversing, reversing

AF09 - AF750, AFN00 - AFN4

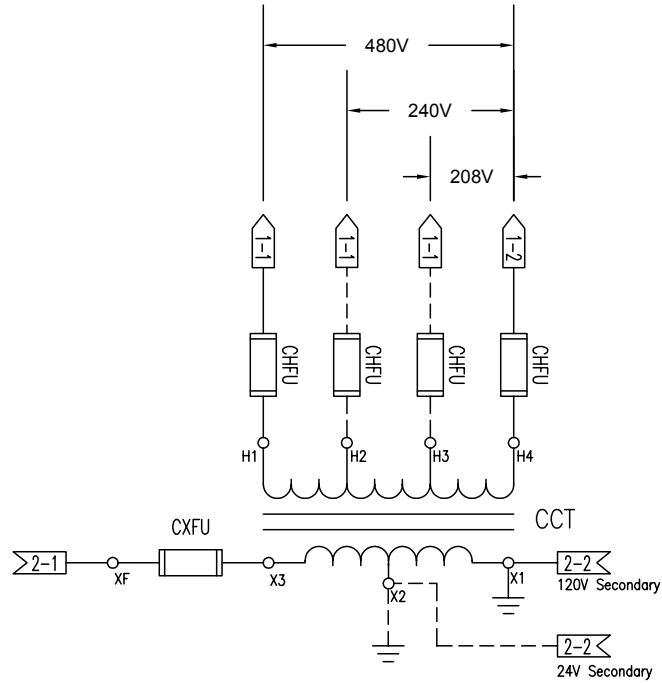


**All units ship with a NO & NC contacts.
Additional contacts can be added in the field.**

Circuit diagrams

Control circuit transformer

Primary voltages: 208V, 240V & 480V



Primary voltages: 600V

